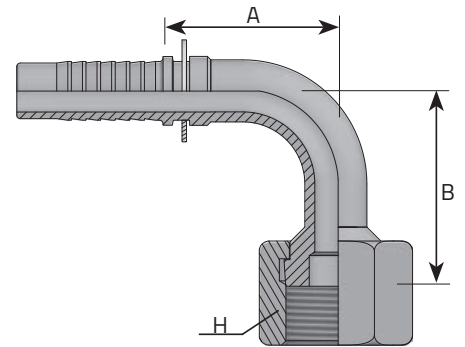




ORFS FEMALE SWIVEL 90° ELBOW

FEMMINA 90° ORFS
 FEMELLE 90° ORFS
 DK 90° BOGEN ORFS UNF STIRNDICHTEND
 HEMBRA GIRATORIA A 90° ORFS

* CRIMPED NUT
 DADO PINZATO



| Code | Tube | | Thread | | Dimensions | | | | Pressure | |
|---------------|------|--------|--------|----------|------------|----|------|------|----------|------|
| | D.N. | Hose | Diam | T | t/1" | H | B | A | Bar | Psi |
| | Inch | | mm | Inch | | mm | mm | mm | | |
| F90ORFS0406 | -4 | 1/4" | 6.4 | 9/16" | 18 | 17 | 29.5 | 28 | 450 | 6526 |
| F90ORFS0409 | -4 | 1/4" | 6.4 | 11/16" | 16 | 22 | 30 | 28 | 450 | 6526 |
| F90ORFS0411 | -4 | 1/4" | 6.4 | 13/16" | 16 | 24 | 32 | 29.5 | 450 | 6526 |
| F90ORFS0509 | -5 | 5/16" | 7.9 | 11/16" | 16 | 22 | 29 | 29 | 350 | 5076 |
| * F90ORFS0606 | -6 | 3/8" | 9.5 | 9/16" | 18 | 19 | 44 | 32.5 | 445 | 6454 |
| F90ORFS0609 | -6 | 3/8" | 9.5 | 11/16" | 16 | 22 | 29 | 36 | 445 | 6454 |
| F90ORFS0611 | -6 | 3/8" | 9.5 | 13/16" | 16 | 24 | 32 | 34 | 445 | 6454 |
| * F90ORFS0809 | -8 | 1/2" | 12.8 | 11/16" | 16 | 22 | 51 | 40.5 | 415 | 6019 |
| F90ORFS0811 | -8 | 1/2" | 12.8 | 13/16" | 16 | 24 | 36 | 37.5 | 415 | 6019 |
| F90ORFS0813 | -8 | 1/2" | 12.8 | 1" | 14 | 30 | 39 | 39 | 415 | 6019 |
| F90ORFS0814 | -8 | 1/2" | 12.8 | 1.3/16" | 12 | 36 | 41 | 38 | 415 | 6019 |
| F90ORFS1013 | -10 | 5/8" | 16 | 1" | 14 | 30 | 43.5 | 51.5 | 350 | 5076 |
| F90ORFS1014 | -10 | 5/8" | 16 | 1.3/16" | 12 | 36 | 48 | 46.5 | 350 | 5076 |
| F90ORFS1214 | -12 | 3/4" | 19 | 1.3/16" | 12 | 36 | 49 | 56 | 350 | 5076 |
| F90ORFS1215 | -12 | 3/4" | 19 | 1.7/16" | 12 | 41 | 54 | 56.5 | 350 | 5076 |
| * F90ORFS1614 | -16 | 1" | 25.4 | 1.3/16" | 12 | 36 | 85 | 70 | 280 | 4061 |
| F90ORFS1615 | -16 | 1" | 25.4 | 1.7/16" | 12 | 41 | 59.5 | 74 | 280 | 4061 |
| F90ORFS2021 | -20 | 1.1/4" | 31.8 | 1.11/16" | 12 | 50 | 75.5 | 90 | 210 | 3046 |
| F90ORFS2432 | -24 | 1.1/2" | 38.1 | 2" | 12 | 60 | 84 | 99 | 185 | 2683 |